

Hinges

Accessory for profile systems / Zinc die casting

SPECIFICATION

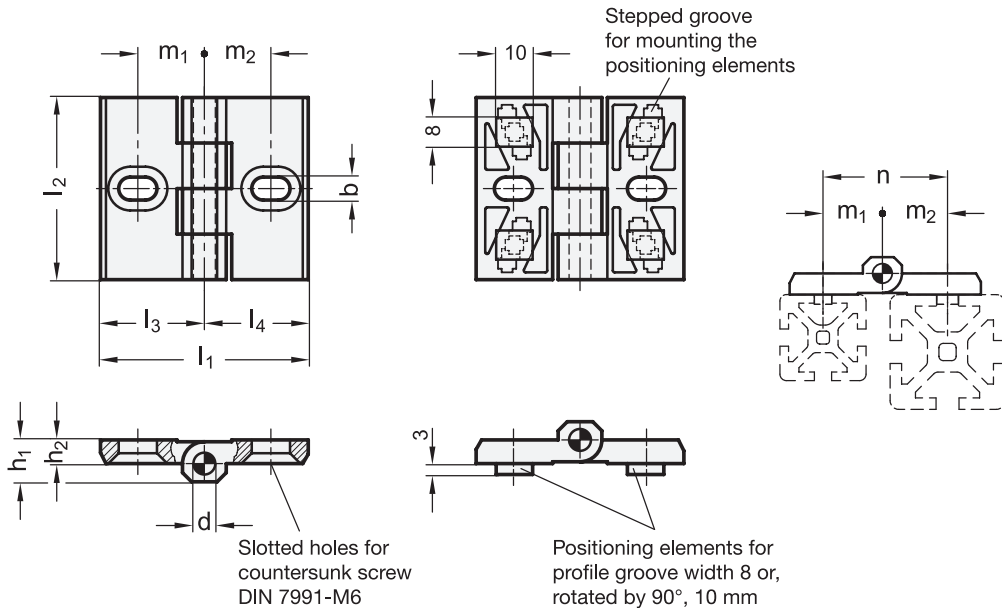
Zinc die casting
 plastic coated
 black, textured finish
 Pin
 Stainless Steel AISI 303

INFORMATION

Hinges GN 161 have been designed for commercially available profile rails.
 With three different types of hinges only, 66 different groove distances „n“ can be accommodated. To achieve this the positioning elements are set in specially marked recesses in the hinge wings.
 The rectangular (8x10 mm) positioning elements, two pieces per hinge wing, will prevent a misalignment. They will also carry the weight of the door.
 For screwing the hinges onto the profile rails, special T-Nuts are used.

TECHNICAL INFORMATION

- Load rating information (see page A40)
- Stainless Steel characteristics (see page A26)
- List of hinges types (see page 1362)

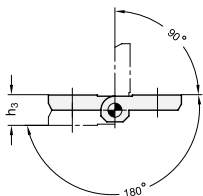


GN 161

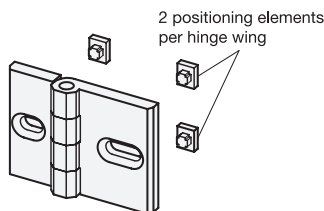
Description	l1	b	d	h1	h2	h3	l2	l3	l4	⚖
GN 161-57	57	6.3	6	12	6.5	13	50	28.5	28.5	107
GN 161-68	68	6.3	6	12	6.5	13	50	28.5	40	128
GN 161-80	80	6.3	6	12	6.5	13	50	40	40	144

GN 161-57			GN 161-68			GN 161-80		
n	m1	m2	n	m1	m2	n	m1	m2
Groove distance			Groove distance			Groove distance		
33	16.5	16.5	37.5	16.5	21	42	21	21
34	16.5	17.5	38	16.5	21.5	42.5	21	21.5
35	16.5	18.5	39	16.5	22.5	43.5	21	22.5
35.5	16.5	19	40	16.5	23.5	44.5	21	23.5
36.5	16.5	20	42.5	16.5	26	47	21	26
35	17.5	17.5	44	16.5	27.5	48.5	21	27.5
36	17.5	18.5	47.5	16.5	31	52	21	31
36.5	17.5	19	38.5	17.5	21	43	21.5	21.5
37.5	17.5	20	39	17.5	21.5	44	21.5	22.5
37	18.5	18.5	40	17.5	22.5	45	21.5	23.5
37.5	18.5	19	41	17.5	23.5	47.5	21.5	26
38.5	18.5	20	43.5	17.5	26	49	21.5	27.5
38	19	19	45	17.5	27.5	52.5	21.5	31
39	19	20	48.5	17.5	31	45	22.5	22.5
40	20	20	39.5	18.5	21	46	22.5	23.5
-	-	-	40	18.5	21.5	48.5	22.5	26
-	-	-	41	18.5	22.5	50	22.5	27.5
-	-	-	42	18.5	23.5	-	22.5	31
-	-	-	44.5	18.5	26	47	23.5	23.5
-	-	-	46	18.5	27.5	49.5	23.5	26
-	-	-	49.5	18.5	31	51	23.5	27.5
-	-	-	40	19	21	54.5	23.5	31
-	-	-	40.5	19	21.5	52	26	26
-	-	-	41.5	19	22.5	53.5	26	27.5
-	-	-	42.5	19	23.5	57	26	31
-	-	-	45	19	26	55	27.5	27.5
-	-	-	46.5	19	27.5	58.5	27.5	31
-	-	-	50	19	31	62	31	31
-	-	-	41	20	21	-	-	-
-	-	-	41.5	20	21.5	-	-	-
-	-	-	43.5	20	23.5	-	-	-
-	-	-	46	20	26	-	-	-
-	-	-	47.5	20	27.5	-	-	-
-	-	-	51	20	31	-	-	-

Swivelling range



Assembly instruction



Application example

